

# Coaxial 7/16 Series Adapter: 7/16-KK

## Description

Adaptor 7/16 jack (female) / 7/16 jack (female)

## Interface standards

MIL-C-39012

## Technical Data

### Electrical Data

Impedance	50 $\Omega$
Interface frequency max.	7.5 GHz
VSWR	$1.05+0.02 \times f$ (GHz) max
Voltage rating	1000 V(rms)
Test voltage	2500 V(rms)
Contact resistance:	
Center conductor	$\leq 2$ m $\Omega$
Out conductor	$\leq 0.5$ m $\Omega$
Insulation resistance	$\geq 5000$ M $\Omega$

### Mechanical Data

Weight	109 g
Durability	500 Cycles

### Environmental Data

Operating Temperature	-65 °C to 165 °C
-----------------------	------------------

### Material Data

#### Piece Parts

Center contact	Phosphor bronze
Outer contacts	Brass
Body	Brass
Insulator	PTFE

#### Material

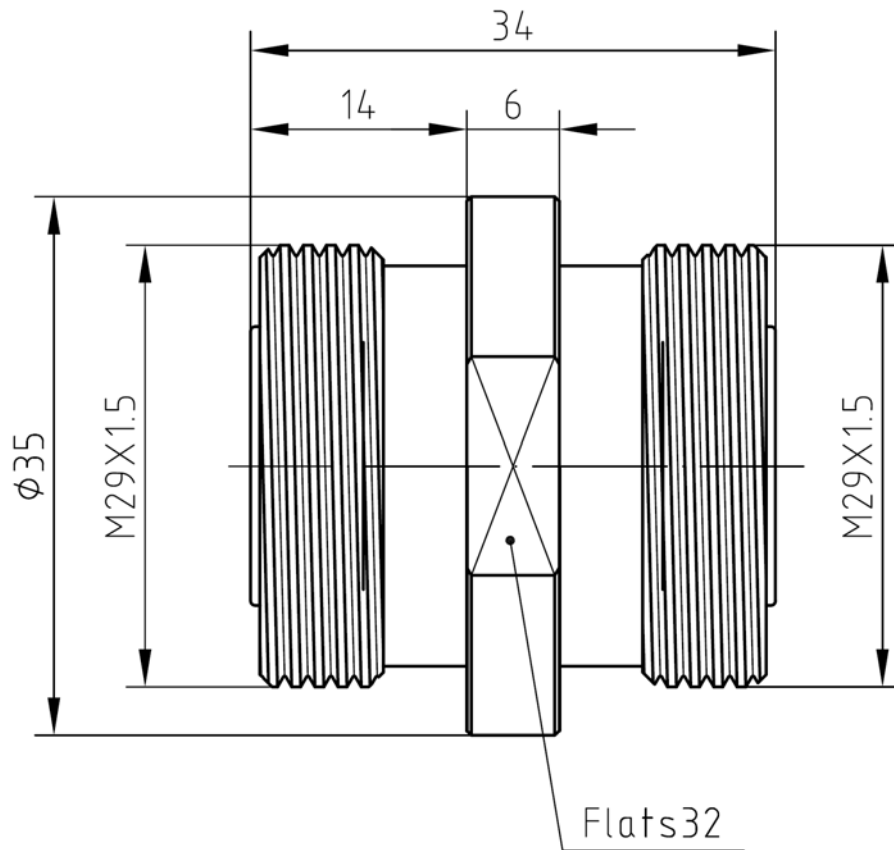
#### Surface Plating( $\mu$ m)

Silver 6.0 over copper 2.0
Silver 6.0 over copper 2.0
White copper 4.0 over silver 2.0



# Coaxial 7/16 Series Adapter: 7/16-KK

## Outline drawing



## Packaging

Standard

20/Box=20 Bag

Other

Contact us