

## Coaxial Between Series Adapter: 2.92/SMP-KJL

### Description

Adaptor 3.5mm jack (female) / SMP (limited detent) jack(male)

### Interface standards

MIL-STD-348

### Technical Data

#### Electrical Data

Impedance	50 $\Omega$
Interface frequency max.	40 GHz
VSWR	1.25 max
Insert loss	$\leq 0.04X \sqrt{f(\text{GHz})}$
RF Leakage	$\leq -75\text{dB}$
Voltage rating	350 V(rms)
Test voltage	750 V(rms)
Contact resistance:	
Center conductor	$\leq 6 \text{ m}\Omega$
Out conductor	$\leq 2 \text{ m}\Omega$
Insulation resistance	$\geq 5000\text{M}\Omega$

#### Mechanical Data

Weight	4.7 g
Durability	2000min Cycles

#### Environmental Data

Operating Temperature	-55 °C to +135 °C
-----------------------	-------------------

#### Material Data

##### Piece Parts

Center contact	Beryllium copper
Outer contact	Stainless steel
Insulator	PEI (Ultem)

##### Material

Beryllium copper
Stainless steel
PEI (Ultem)

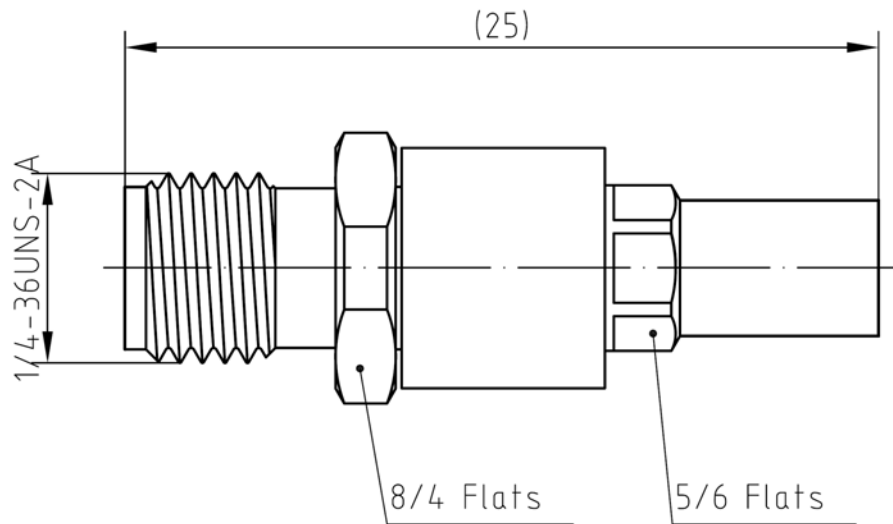
##### Surface Plating( $\mu\text{m}$ )

Gold 1.27 over nickle 2.0
Passivated



## Coaxial Between Series Adapter: 2.92/SMP-KJL

### Outline drawing



### Packaging

Standard

Other

100/Box=10Bag

Contact us