

Coaxial Between Series Adapter: 3.5/SMP-KKG

Description

Adaptor 3.5mm jack (female) / SMP plug(female)

Interface standards

MIL-STD-348

Technical Data

Electrical Data

Impedance	50 Ω
Interface frequency max.	26.5GHz
VSWR	1.22max
Insert loss	$\leq 0.04X \sqrt{f(\text{GHz})}$
RF Leakage	$\leq -75\text{dB}$
Voltage rating	350 V(rms)
Test voltage	750 V(rms)
Contact resistance:	
Center conductor	$\leq 6 \text{ m}\Omega$
Out conductor	$\leq 2 \text{ m}\Omega$
Insulation resistance	$\geq 5000\text{M}\Omega$

Mechanical Data

Weight	4.4 g
Durability	500min Cycles

Environmental Data

Operating Temperature	-55 °C to +135 °C
-----------------------	-------------------

Material Data

Piece Parts

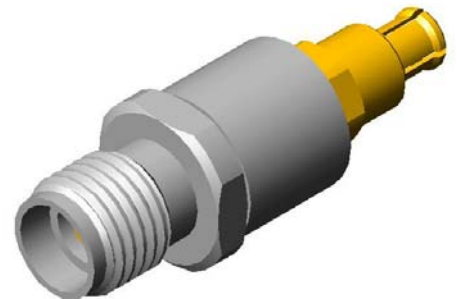
Center contact
Outer contact
Insulator
Body

Material

Beryllium coper
Beryllium coper
PEI (Ultem)
Stainless steel

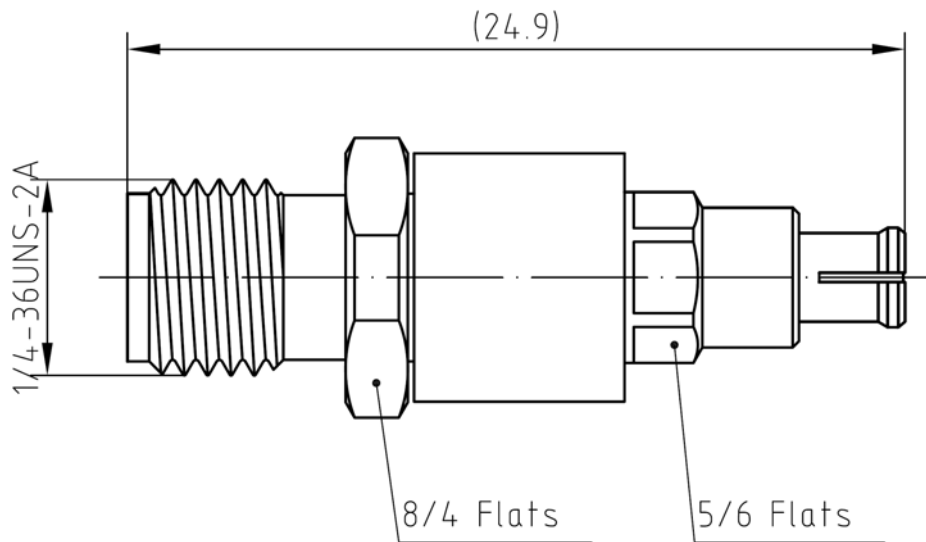
Surface Plating(μm)

Gold 1.27 over nickle 2.0
Gold 1.27 over nickle 2.0
Passivated



Coaxial Between Series Adapter: 3.5/SMP-KKG

Outline drawing



Packaging

Standard

Other

100/Box=10Bag

Contact us